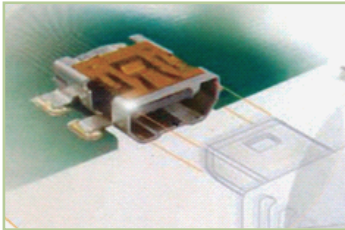


# HTK (Honda connectors): AXJ43 & AXJ44 series for Mini I/O 11 pos. connectors (Mini USB 5 pin plus 6 pin)



Example of application: Mobile phone, Smart phone, DSC etc.

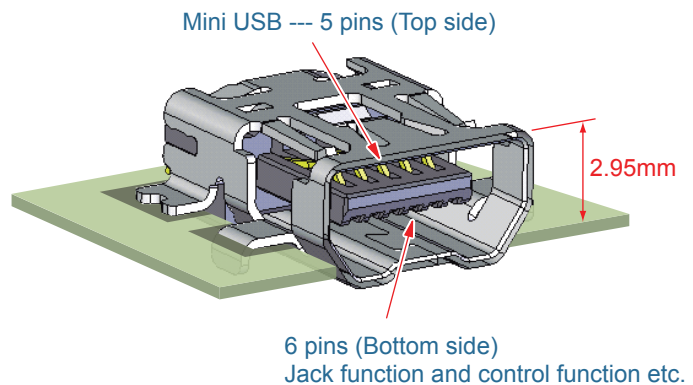
## Receptacle for board



R/A receptacle for board SMT solder type(Offset PCB mount), with vacuum pad Mini AB type shape.

Mating: Following photo plug & MiniUSB A&B type plug.

**P/N: AXJ436540**



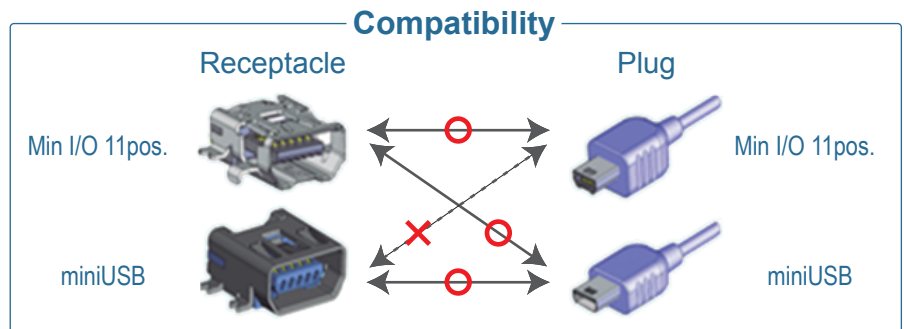
## Plug for cable



Straight plug cable

Wire solder type, Mini AB type shape

**P/N: AXJ443000**



## Specifications

Rated Voltage	30 V DC/AC
Rated current	Terminal #1, 5, 6, 11 - 2.0 A, #2, 3, 4 - 1.0 A, #7, 8, 9, 10 - 0.5 A, Total: 8 A
Insulation Resistance	100 MΩ min. at 100 V DC
Withstanding Voltage	100 V AC / one minute
Operating temperature	- 25 to + 90 °C.

## Material and Finish

Parts name	Material and Finish
Insulator	Heat resistance plastic: UL 94V-0 (Color: Black)
Contact	Copper alloy: Contact area - Gold over nickel plated, Terminal area - Tin over nickel plated
Receptacle shielded shell	Stainless steel, Tin over nickel plated
Plug shielded shell	Stainless steel, Nickel plated

Rev.1.3

**Distributer**

**TOKOH DENKI CO., LTD.**

Home Page: <http://www.tokoh.biz/>

E-Mail: [office@tokoh.biz](mailto:office@tokoh.biz)

